

CRYO-CYL

LOW PRESSURE LIQUID CYLINDERS

Designed specifically for low-pressure liquid applications, the Cryo-Cyl LP liquid cylinders have a low center of gravity and a polished, stainless steel outer shell, making these cylinders perfect for laboratory and hospital applications. Medical staffs value the Cryo-Cyl unit's simple handling and easy-to-read gauges. By specifying stainless steel casters, they become non-magnetic and ideal for MRI service.

As with every Chart product line, our attention to detail puts Cryo-Cyl LP cylinders above the competition. Along with the optimal balance of low NER and the durability, its design includes an extended-stem, easy-operating globe valve that provides easier operation and less ice build-up on the handle. A pressure building circuit inside the cylinder needs only an optional regulator kit to turn the Cryo-Cyl LP into a full, pressure-building unit.



PRODUCT HIGHLIGHTS

- Easy to handle 26" (66 cm) diameter 230 liter model (low center of gravity)
- Easy to hook up
- Easy to read gauges
- Extended stem liquid valve
- Rugged, oversized casters
- Optional stainless-steel casters (MRI applications)

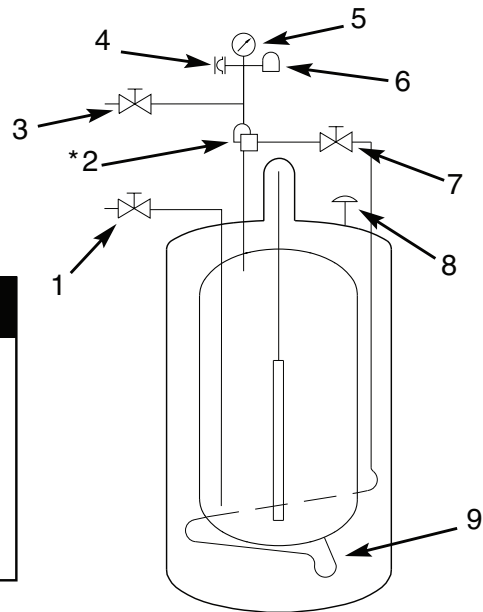


Innovation. Experience. Performance.

CRYO-CYL

LOW PRESSURE LIQUID CYLINDERS

Specifications						
Model						
Size		80L	120L RB*	180L	230L RB*	230L SB**
Pressure		HP	LP	LP	LP	LP
Capacity						
Liquid (Gross)	(liters)	85	120	196	240	240
Liquid (Net)	(liters)	80	110	185	230	230
Performance						
NER (N ₂)	% per day	3.0	2.0	1.5	1.5	1.5
NER (O ₂ or Ar)	% per day	2.0	1.4	1.0	1.0	1.0
Dimensions & Pressure Ratings						
Diameter	in / cm	20 / 50.8	20 / 50.8	20 / 50.8	26 / 66.0	26 / 66.0
Height	in / cm	39.5 / 100.3	51 / 129.5	64.3 / 163.3	57.2 / 145.3	56.8 / 144.3
Empty Weight	lb / kg	165 / 74.8	165 / 74.8	210 / 95.2	275 / 125	311 / 141
Relief Valve Setting	psig / bar	350 / 24	22 / 1.5	22 / 1.5	22 / 1.5	22 / 1.5
DOT/CTC Rating		4L292	4L100	4L100	4L100	4L100
* Round caster base		** Square caster base				
<i>Note: All dimensions are measured from the floor to the top of the sight gauge protector.</i>						



Nomenclature	
1. Liquid Fill & Withdrawal Valve	6. Relief Valve
2. Pressure Building Regulator	7. Pressure Building Valve
3. Vent Valve	8. Outer Vessel Burst Disc
4. Inner Vessel Rupture Disc	9. Pressure Building Coil
5. Pressure Gauge	* PB Regulator Optional, P/N